



ADVANCED FLUID
MANAGEMENT SOLUTIONS

RAASM S.p.a.

Via Marangoni 33, 36022
S. Zeno di Cassola (VI) Italy
Tel. +39 0424 570891
info@raasm.com

P/N 8432.500



Fixed hose reel in AISI 304 stainless steel s. 430, for grease, 600 bar, without hose. Inlet G 3/8 (f) - outlet G 1/2 (f)

AREAS OF USE

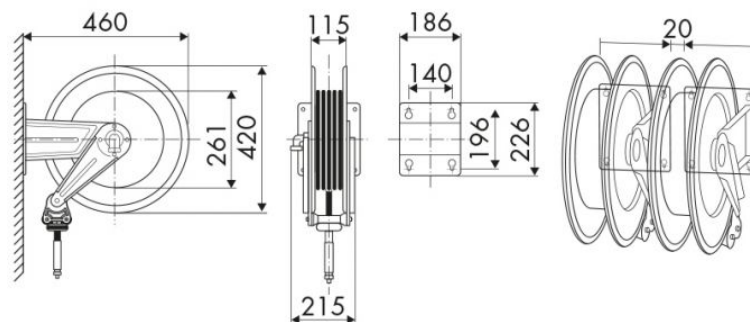
Agriculture, Cleaning, Chemical industry,
Manufacturing industry, Shipping and offshore

FEATURES

Pressure	600 bar
Compatible fluids	grease
Swivel joint	zinc plated steel
Seals	polyurethane
Characteristic	fixed
Material	AISI 304 stainless steel
Couplings	-
Hose	-
Ø and hose length	-
Inlet	G 3/8" (f)
Outlet	G 1/2" (f)
Reel flow path	zinc plated steel - AISI 304 stainless steel
Packing	No. 1 - 59x29x59 cm
Net weight - gross weight	13 kg - 16 kg



OVERALL DIMENSIONS (mm)



HOSE REELS CAPACITY

Ø 5/16"	Ø 3/8"
12 m	15 m

